

**- Ranger Rifle -**

**Models:**

**Finished**

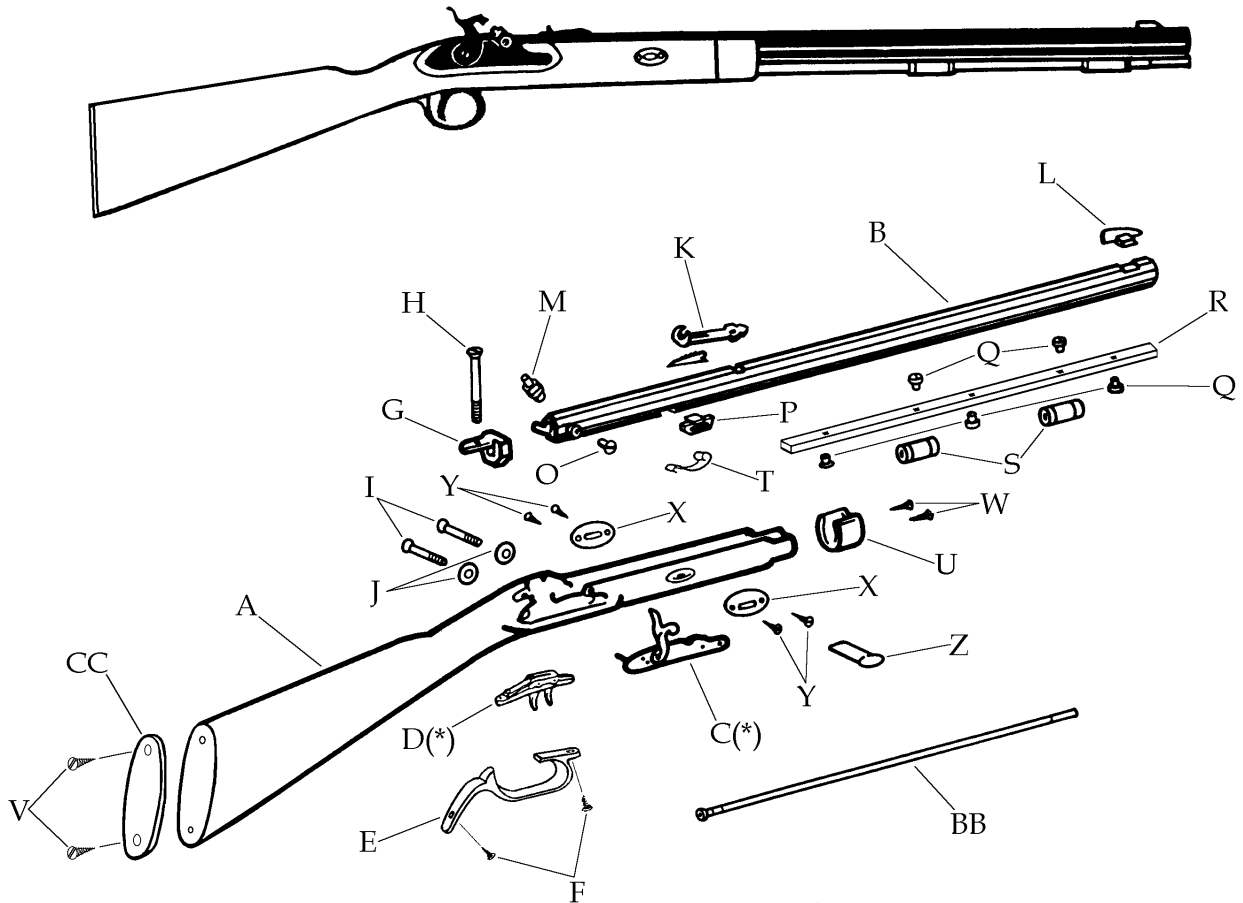
**Kit**

**R-2065**

**KR-5265**

.45 cal. perc. 1-66"  
Blued Barrel

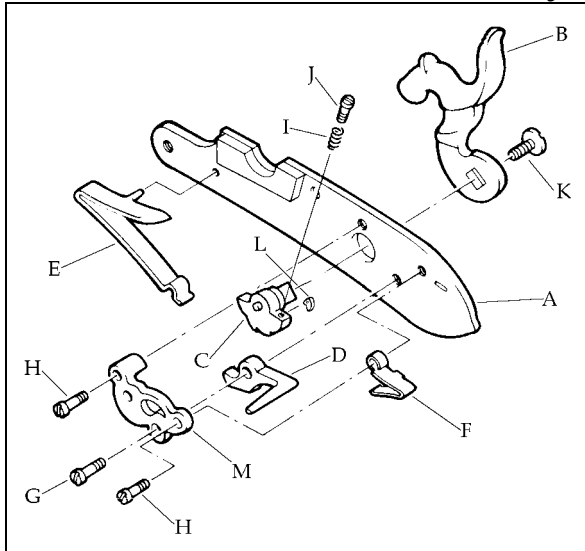
.45 cal. perc. 1-66"  
White Barrel



Description	Reference	Description	Reference
A Stock Beech (Kit).....	K-20601	M Nipple Percussion Only.....	20608
Stock Beech (Finished).....	FCS20601	O Bolster Screw -Percussion Only.....	20605
B Barrel Assembly (Kit) (Length 28")		P Barrel Tennon.....	20533
.45 cal. perc. (twist 1-66").....	C-306025	Q Rib & Thimble Screw (5).....	20614
Barrel Assembly Blued (Finished) (Length 28")		R Barrel Rib.....	20612
.45 cal. perc. (twist 1-66").....	FB306025	S Thimble Brass (2).....	20613
C Percussion Lock.....	20603	T Ramrod Retaining Spring.....	20621
D Trigger Assembly.....	20622R	U Nose Cap (Brass).....	20615
E Trigger Guard (Brass).....	30623	V Brass Butt Plate Screw (2).....	20625
F Trigger Guard Screw (2).....	20624	W Nose Cap Screw (2).....	20627
G Tang.....	20606	X Stock Plate Brass (2).....	22216L
H Tang Screw.....	20209	Y Stock Plate Screw (4).....	20617
I Lock Plate Washer Screw (2).....	20620	Z Wedge.....	22218-2
J Lock Plate Washer (2).....	20619	BB Ramrod Assembly (Synthetic).....	22228
K Rear Sight Assembly.....	22810	CC Brass Butt Plate.....	20626
L Front Sight.....	20611		

(\*) Exploded view at the reverse.

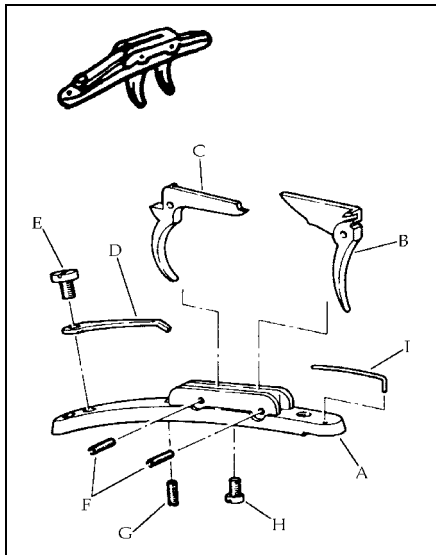
**Percussion Lock Assembly - Ref. 20603**



	Description	Reference
A	Lock Plate.....	70501
B	Hammer.....	70602
C	Tumbler.....	70603
D	Sear.....	70504
E	Mainspring.....	70505
F	Sear Spring.....	70506
G	Sear Screw.....	70514
H	Sear Spring & Bridle Screw (2).....	70515
I	Sear Adjusting Screw Spring.....	70520
J	Sear Adjusting Screw.....	70518
K	Hammer Screw.....	75512P
L	Fly.....	M70611
M	Bridle.....	70508

**Trigger Assembly**

**- Ref. 20622R**



	Description	Reference
A	Trigger Plate.....	60601R
B	Front Trigger.....	60602
C	Rear Trigger.....	60603
D	Rear Spring.....	60604R
E	Rear Spring Screw.....	60606
F	Trigger Pin (2).....	60609
G	Rear Trigger Adjustment Screw.....	60608
H	Front Trigger Adjustment Screw.....	60607
I	Front Spring.....	60605